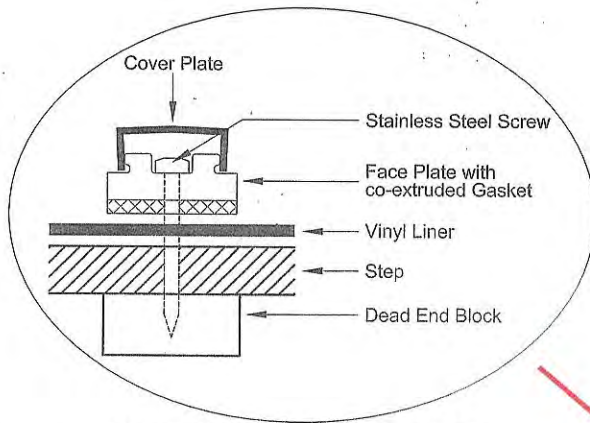


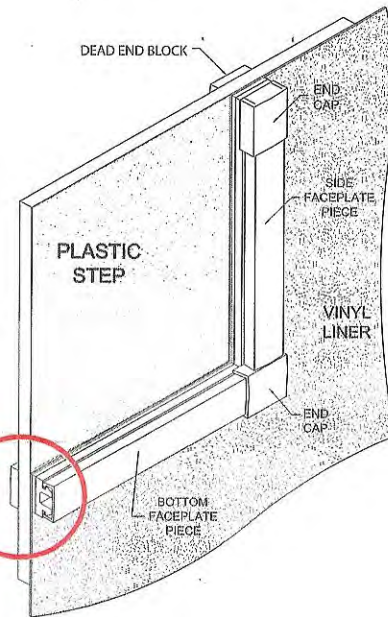


INSTALLATION INSTRUCTIONS INGROUND POOL STEPS

**FEATURING ITS STATE OF THE ART FACEPLATE SYSTEM
WITH CO-EXTRUDED ATTACHED GASKET**



(NO SEPARATE GASKET)
Patent # US 7,040,060 B2

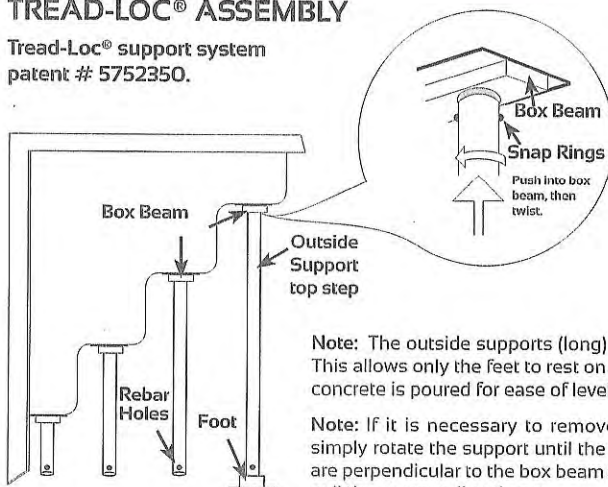


SEE DETAILED INSTRUCTIONS ON BACK

TREAD-LOC® SUPPORT ASSEMBLY INSTRUCTIONS

TREAD-LOC® ASSEMBLY

Tread-Loc® support system
patent # 5752350.



Rebar not included.

Note: The outside supports (long) require feet. This allows only the feet to rest on ground until concrete is poured for ease of leveling.

Note: If it is necessary to remove a support, simply rotate the support until the re-bar holes are perpendicular to the box beam channel and pull the support directly out.

Column Supports are provided in bundles (3 bundles for 8' units and 2 bundles for smaller units). Each bundle contains supports for one row as shown.

Beginning with the long support, depress the snap ring with your thumb and forefinger and insert the support into the receptacle hole on box beam. Rotate the support until the rebar holes are parallel to the box beam channel. Repeat this process for each column in descending order.

Please Note: Outside supports for the top step also have snap rings for bottom to accommodate the foot. All other supports have snap rings on top only and re-bar holes on the bottom.

Repeat this process for each row of column supports until all supports are in place.

Place the support feet on the bottom of the long outside supports for the top step.

STEP PLACEMENT

TRIM-LINE™ COLLAR STEPS: Set step unit between two panels. Adjust height of step by aligning top of coping with top of step (See Figure #1) {See Caution} and plumb by checking front face of step unit with adjoining panels.

Note: Saratoga Steps are universal in height to most coping designs (Bull nose, Flat, etc.) in the pool industry. To insure this, the Saratoga Step comes complete with 4 Styrofoam blocks if needed. These blocks will fill any void between the coping and the step nosing that may appear when lowering the step. (Some cutting of the Styrofoam may be required for a perfect fit.) (See Figure #2)

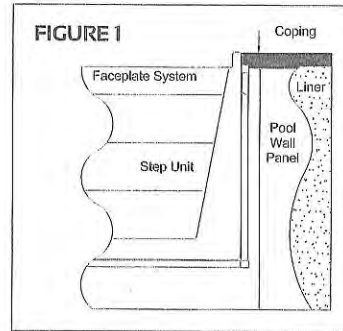
CANTILEVER STEPS: Set step unit between two panels. Adjust height of step by aligning top flange of panel with top collar of step (See Figure #3) and plumb by checking front of step unit with adjoining panels. Failure in doing this could result in pool having insufficient water level on top step.

Lock step unit in place with vice grip pliers.

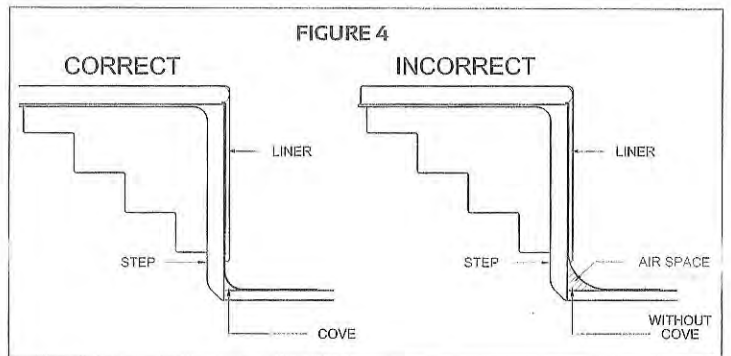
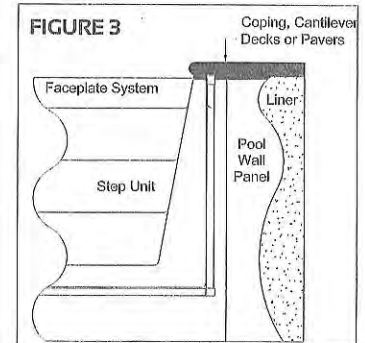
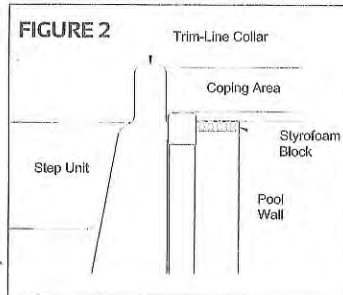
Using holes in the panel as a template, drill holes through flange into step and bolt in place with a brace on each side of step unit.

Pour concrete bond beam around pool and step unit. Slope bond beam away from step to ensure proper drainage.

Backfill behind steps before liner installation. Backfilling should be done with sand or gravel (NEVER CLAY), and thoroughly compacted in layers. When finishing pool base in front of step unit, taper it up, and make a slight cove. This will help to relieve any excessive pressure on pool liner. (See Figure #4)



NOTE: A small piece of coping can be used as a measuring guide when placed on the top of the panel.



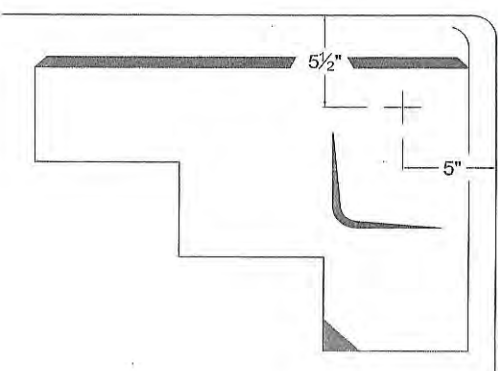
CAUTION

For correct result (photo B), when bolting panel to step, adjust step height to meet top of coping (photo A). Failure to do so will result in an incorrect installation (photo C).

CORRECT PHOTO A

CORRECT PHOTO B

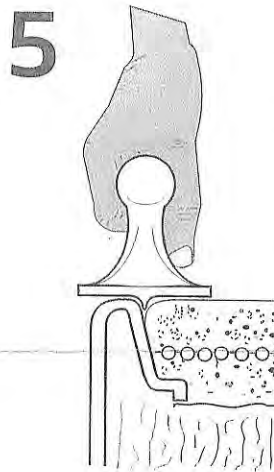
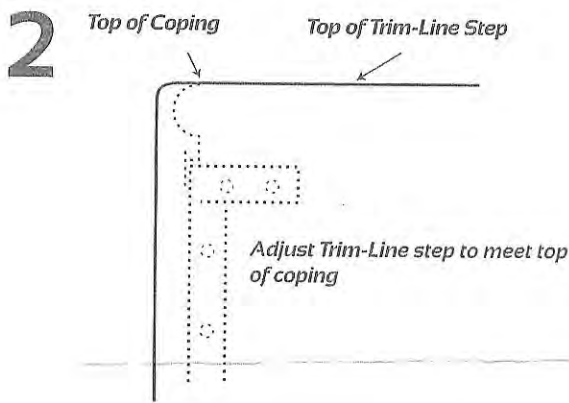
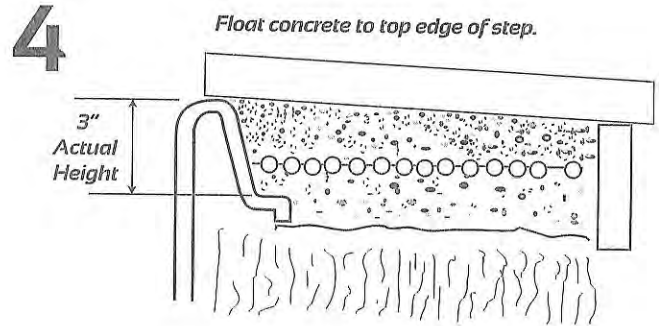
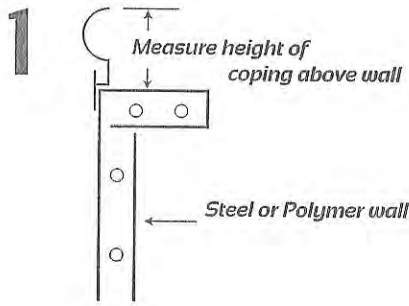
INCORRECT PHOTO C



PLACEMENT OF AIR CONTROL ON STEP-N-REST USING JETS WITH 1" AIR SUPPLY

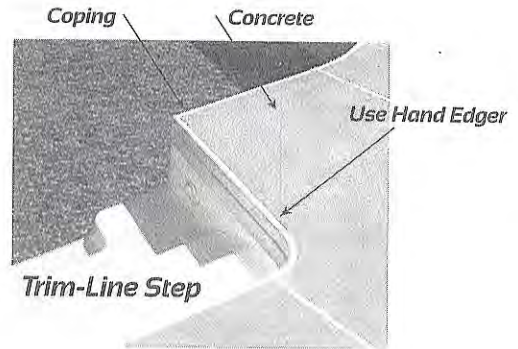
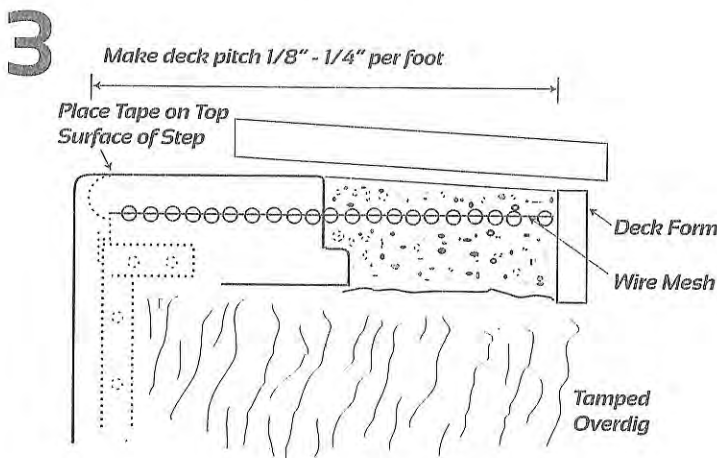
- Drill a 5/16" hole for air control, centered as shown.
- Tighten air control to step wall.
- Spin a 90° reducing elbow (1" x 3/4") to the back of the air control.
- Apply a 1" flex from the control to the jet.

CONCRETE EDGING TIPS



Remove tape slowly, then edge around the Trim-Line collar. Use a 1/4" edger. We suggest Kraft CF306 hand edger. It's fast, allows for a clean, neat edge and is easy to use.

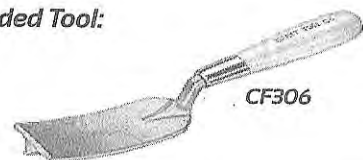
Once the edge around the step has been rounded, trowel or broom finish to desired look. The result will be a clean, smooth deck surface with the look of continuous pool coping perimeter.



Note: White duct tape suggested, making sure not to leave tape on step for any longer than necessary. Tape can actually "bake" on surface in direct sunlight making clean up difficult.

Concrete tips are for edging purposes only. Proper expansion joints, wire mesh and deck supports are the responsibility of the installer. Manufacturer accepts no responsibility for damage to the step caused by improper installation.

Recommended Tool:



The edging tools shown may be purchased at your local hardware store or contact:
Kraft Tool Co. at 913-422-4848 or Fax: 913-422-1018



CARE AND USE INSTRUCTIONS

Saratoga Spa & Bath Co., Inc. recognizes the importance of safe and knowledgeable use of our products. This CARE AND SAFE USE PACKET, and caution label attached to the step unit at the factory, will assist you in this regard.

CAUTION

THIS PRODUCT MAY BECOME SLIPPERY.
THIS STEP UNIT SHOULD BE INSTALLED WITH
SUITABLE HANDRAIL PER APSP CODE.

Additional safety and maintenance information was also attached to the step unit at the factory. If you have not received this packet or have questions regarding the installation, care and safe use of your Saratoga Step Unit, consult the installer or write to:

Saratoga Spa & Bath Co., Inc. – Consumer Relations
33 Wade Road, Latham, NY 12110

The ultimate responsibility for the safety of those who use your swimming pool lies with you, the pool owner, so it is ESSENTIAL that these recommendations be followed:

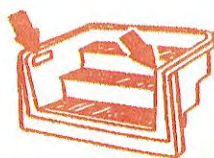
STEP SAFETY

1. This step unit is to be installed with suitable handrail or handrails per APSP Code. If your installer is not sure how this code pertains to your installation, contact the:

Association of Pool and Spa Professionals
2111 Eisenhower Avenue
Alexandria, VA 22314

Always use the handrail to assist in entering or exiting the pool by the steps, and inspect the handrail often to be sure it is secure.

2. Attach (2) "Caution – Stairs May Be Slippery" decals, as illustrated, to each side of the step unit above the water line.



3. Steps may become slippery when algae forms or body and suntan oils accumulate, so clean them regularly.

4. Do not allow pushing, running or roughhousing on or near the steps. This should not be considered a play area.

CAUTION

FAILURE TO FOLLOW THESE RECOMMENDATIONS MAY RESULT IN ACCIDENT AND INJURY. IT IS YOUR RESPONSIBILITY TO SET SAFETY RULES AND SEE THAT THEY ARE FOLLOWED.

LIFETIME LIMITED WARRANTY



SARATOGA SPA & BATH CO., INC., THERMOFORMED INGROUND POOL STEPS

What is Covered

- This product is warranted by Saratoga Spa & Bath Co., Inc., to the original retail purchaser or a one time qualified transferee of the original purchaser only. A qualified transferee shall be the next owner of the real property upon which this Saratoga inground pool step was installed. If this Saratoga Step should fail resulting from defective material and or workmanship it will be covered per the terms listed in the this limited warranty.
- This warranty applies only to steps installed in private residential pools.

What is Not Covered

- This warranty does not cover damage, which results from your acts or acts of others, abuse, negligence, accident, act of God or normal wear and exposure to the elements. (This includes fading or discoloration)
- This warranty does not cover damage resulting from improper installation. This product must be installed according to the manufacturer's installation instructions.
- This warranty is null and void if alterations are made to the step or if accessories that can cause damage to the step are used.
- Cosmetic nonstructural hairline cracks are excluded from this warranty.

What We Will Do For You

- We will replace or repair any pool step found to be defective. Charges for shipping, removal, installation and service calls are not covered by this warranty.
- Replacement or repair will be made within thirty (30) days, weather and conditions permitting, of confirmation of the defect and receipt of your payment, if required.

How to Obtain Warranty Service

- If your Saratoga Spa & Bath step should fail during the warranty period as a result of a problem covered by this warranty, you should notify us at our offices, in writing, at the address shown below. We will need to know your name, address, telephone number, a description of the product and defect involved, the date of installation, and the name and address of the dealer from whom you purchased the step. Also provide proof of purchase.
- Determination of the claimed defect may be made upon receipt of the step at our factory. At our option, confirmation may be made by an authorized representative at the pool site.
- All warranty claims must be made directly with Saratoga Spa & Bath Co., Inc., and no merchandise is to be returned to us without prior written authorization.

Disclaimer of Consequential Damaged

- Under no circumstances will Saratoga Spa & Bath Co., Inc., become liable for Special, Incidental or Consequential Damages. This includes but is not limited to *Any Damages for Loss of use of Pool or Pool Step, Injury To, Or Death Of, Any Person/Persons, Or Damage to Property.* Any Claims Therefore are Herby Specifically Disclaimed and Excluded. Some states do not allow the exclusion of special incidental or consequential damages so this above limitation may not apply to you.

Limitations of Warranties

- This warranty shall be unenforceable if you are in default under the terms of any agreement executed in connection with the purchase or installation of this pool step.
- This warranty is intended to be in lieu of any and all warranties expressed or implied. It is a complete statement of obligation. No agent or dealer or other individual is authorized to change this warranty and any such change will not be recognized by Saratoga Spa & Bath Co., Inc.
- This warranty gives you specific legal rights. You also have implied warranty rights, and may have other rights, which vary from state to state. In the event of a problem with warranty service or performance, you may be able to go to small claims court, state court or federal court.
- This warranty is in compliance with the Consumer Product Warranty and Federal Trade Commission Improvement Act.

Saratoga Spa & Bath Co., Inc., 33 Wade Road, Latham, NY 12110 518-786-1111

